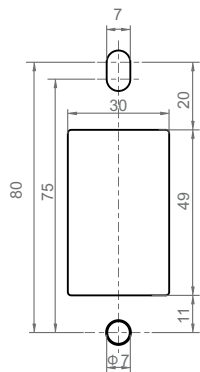


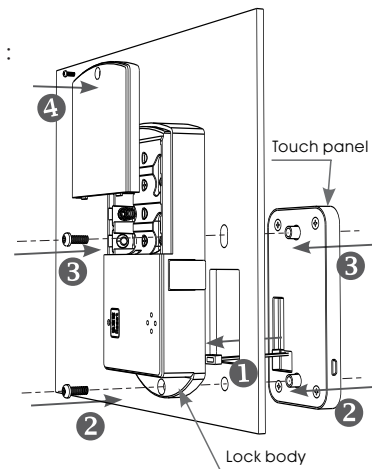
## Fixing hole size & installation

▼ **Fixing hole size** Unit mm    ► **Installation**



(1)

\* Suitable thickness :  
5-24mm



(2)

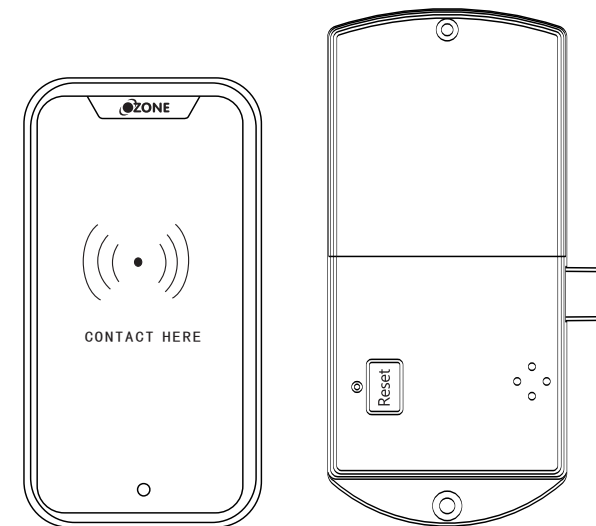


**Ozone Secutech Pvt. Ltd.**

548, Phase V, Udyog Vihar, Gurugram, Haryana-122016, India  
Visit : [www.ozone-secutech.com](http://www.ozone-secutech.com) | Email : [ccsafes@ozone-india.com](mailto:ccsafes@ozone-india.com)  
India Customer Care : +91-11-45576666

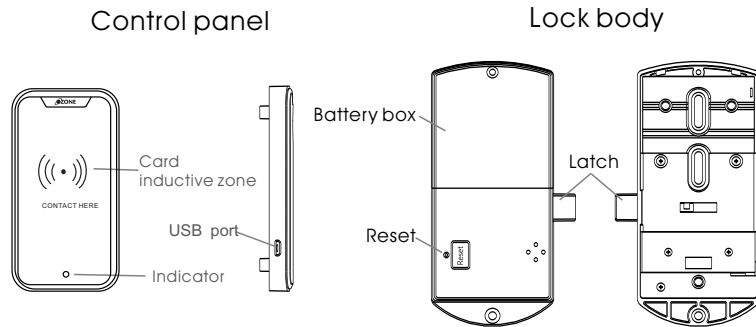
## SMART DIGITAL FURNITURE LOCK

1



## OZFL-202-RF

## Product Introduction



### Four types of cards

1. management card (only 1), main card (3 at most), service card (19 at most), guest card (only 1)
2. Use management card 1 time to add the guest card, 2 times to add the guest card, 3 times to add the main card, 4 times to unlock, 5 times to delete the other three types of cards

### Setting

Setting management card: Put a pin to the small reset hole at the back side of the lock body to reset. once you heard the sound of beep... means reset succeed, the first card you use is the management card

1. Single card opening: use management card 1 time, you will see the green LED flash, and then take any other card to be added, this new card will be guest card.  
Note: If a new guest card be added, the previous guest card will be deleted automatically
2. Double card opening: use management card 2 times, you will see the green LED flash, and then take any other card(s) to be added, this new card will be service card.

In this case, service card and guest card should be used together to unlock

Note: You can add 19 service cards at most in one time

3. How to add main card: use management card 3 times, you will see the green LED flash, and then take any other card(s) to be added, this new card will be main card.

Note: Main card opening is workable at both single and double card mode, you can add 3 main cards at most in one time

4. How to use the management card: use management card 4 times

5. How to delete the other three types of cards: use management card 5 times, when you heard the sound of beep... and saw the LED flash, other three types of cards deleted except management card.

### Features

1. 4 pieces AA batteries.
2. Well keep the management card, lock need to be reset if management card lost
3. Well keep the main card,
4. Emergency power supply is allowed
5. The latch will stay in the lock body after resetting ; after setting the guest card, alarm function is activated, if the latch not stretch out, it will be alarmed with 5 times of a sound beep...together with a green light flashing.

### Packing List

S/N	Description	Quantity	Remark
1	Front panel lock	1	
2	Back panel lock	1	
3	RFID Card	1	
4	Countersunk screws packet	1	
5	User Installation manual	1	