

Wooden Door Seals

Adaptable Sealing Solutions For Any Door



Sound Insulation



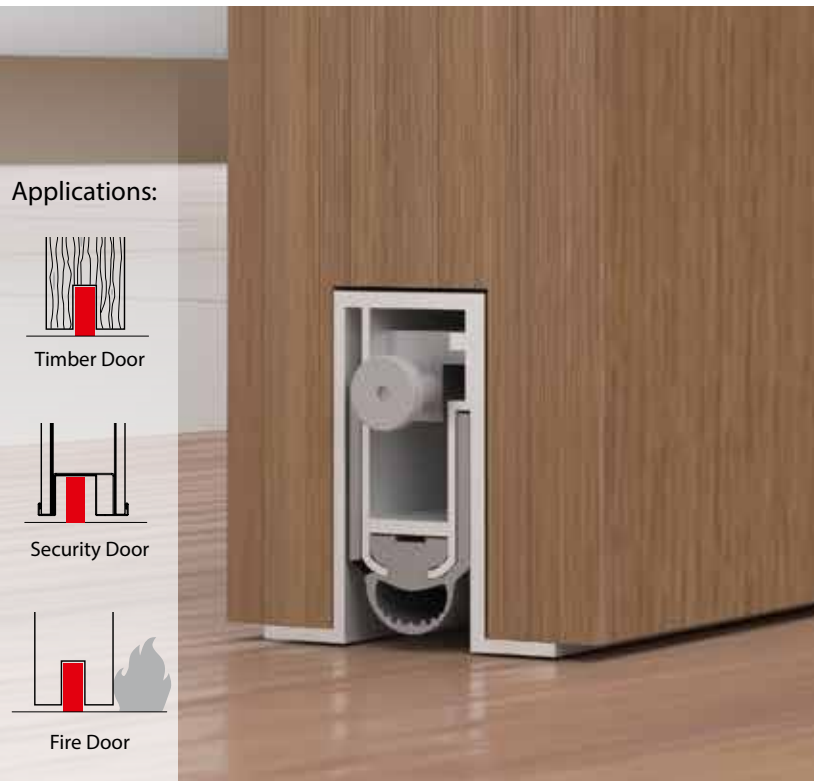
No Pest



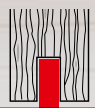
Hot/Cold Air Loss Prevention



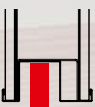
Power Saving by Preventing Airflow



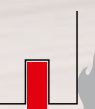
Applications:



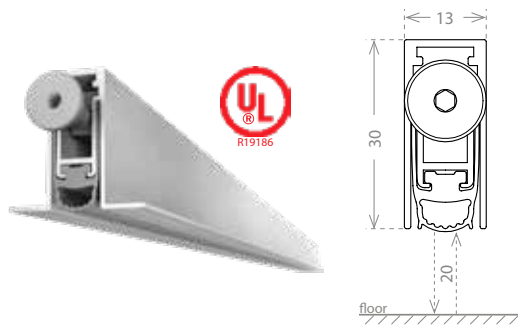
Timber Door



Security Door

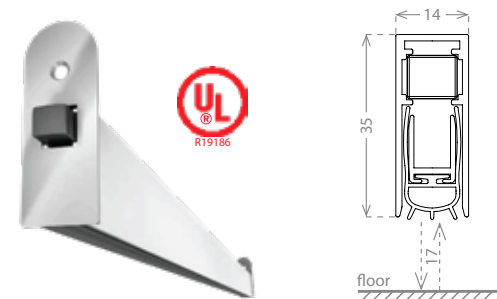


Fire Door



OZADS-11AL-1220MM
OZADS-11AL-920MM
Aluminium Door Seal

- Aluminium/timber door automatic drop down seal
- Maximum drop - 20mm
- Sound insulation - up to 50dB
- Fixed with screws on the lateral wings
- Size can be reduced to minimum 150mm

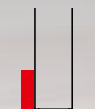


OZADS-22C-1220MM
OZADS-22C-920MM
Concealed Drop Down Seal

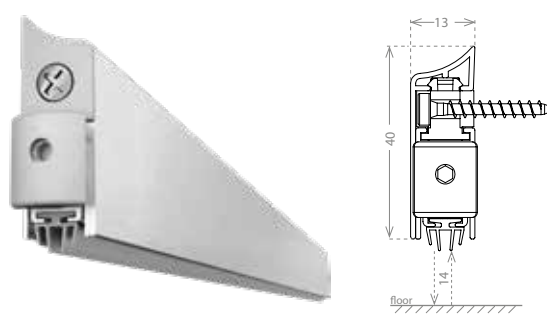
- Concealed door drop down seal for wooden doors
- Maximum drop - 17mm
- Fire resistant - up to 120 minutes
- Sound insulation - up to 48dB
- Adjustment can be done with extractable plunger
- Size can be reduced to minimum 150mm



Application:

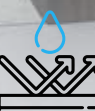
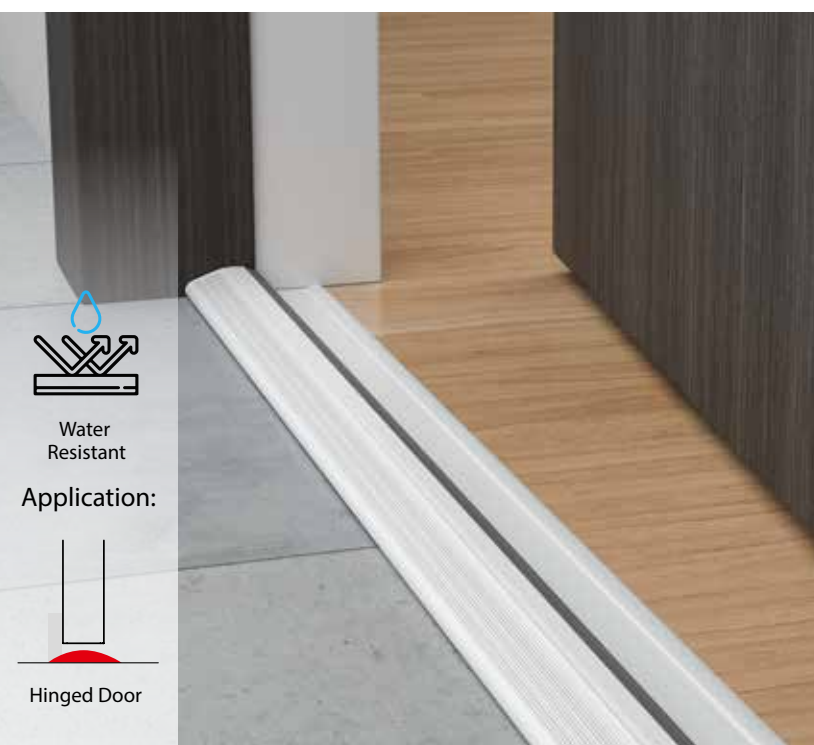


All Types of Swing Door



OZADS-33S-1220MM
OZADS-33S-920MM
Surface Mounted Seal

- Surface Mounted door drop down seal for wooden doors
- Maximum drop - 14mm
- Sound insulation - up to 36dB
- Fixed with screws on the front plate
- Adjustment can be done with extractable plunger
- Size can be reduced to minimum 125mm



Water Resistant

Application:



Hinged Door



OZADS-55TH-1220MM
OZADS-55TH-920MM
Threshold Seal

- Draining threshold seal for maximum water prevention
- Equipped with a soft self-extinguishing silicone seal
- Can be mounted on single or double leaf door