



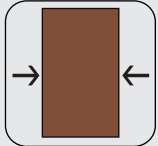
# SOFT CLOSE WOODEN SLIDING DOOR SYSTEMS



## Features:

- \* Hanging roller with two-way damper design, suitable for narrower door widths.
- \* No bottom track design, making cleaning more convenient.
- \* Side adjustment hanging bracket design, eliminating the need to remove the door panel for height adjustment.
- \* Adjustment feature: Adjustable installation height of the door panel.

## OZSL-WD-160SC STD

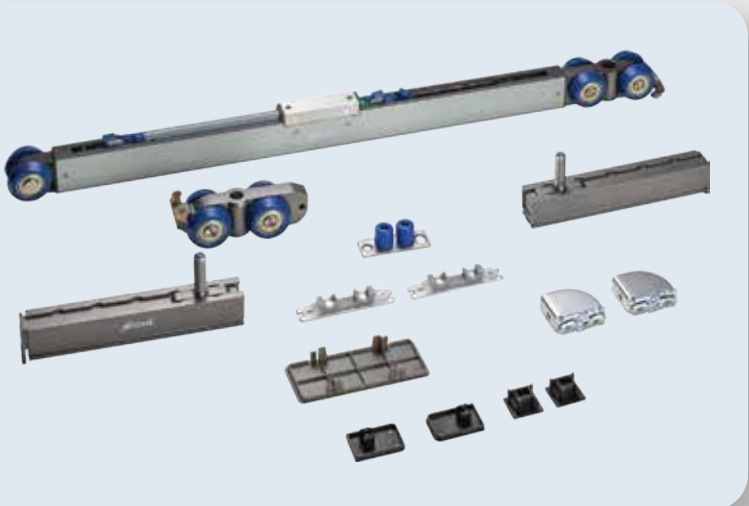


Door Width  
≥ 600mm

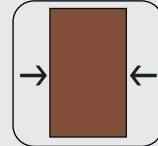
upto  
160kg



Weight Carrying  
Capacity



## OZSL-WD-90SC STD

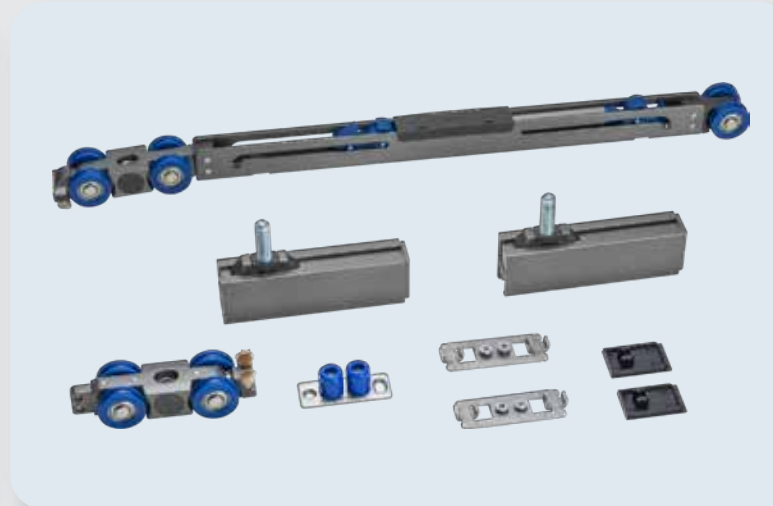


Door Width  
≥ 600mm

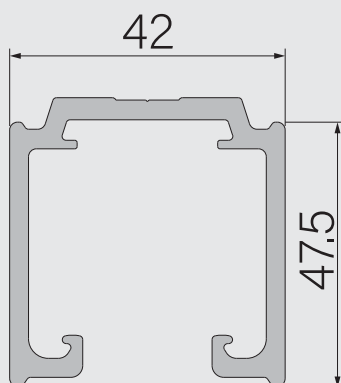
upto  
90kg



Weight Carrying  
Capacity



## OZSL-160-TT 2M STD



## OZSL-90-TT 2M STD

