

Square Bathroom Glass Door Lock With Magnetic Strike Plate Assembly Installation Instructions

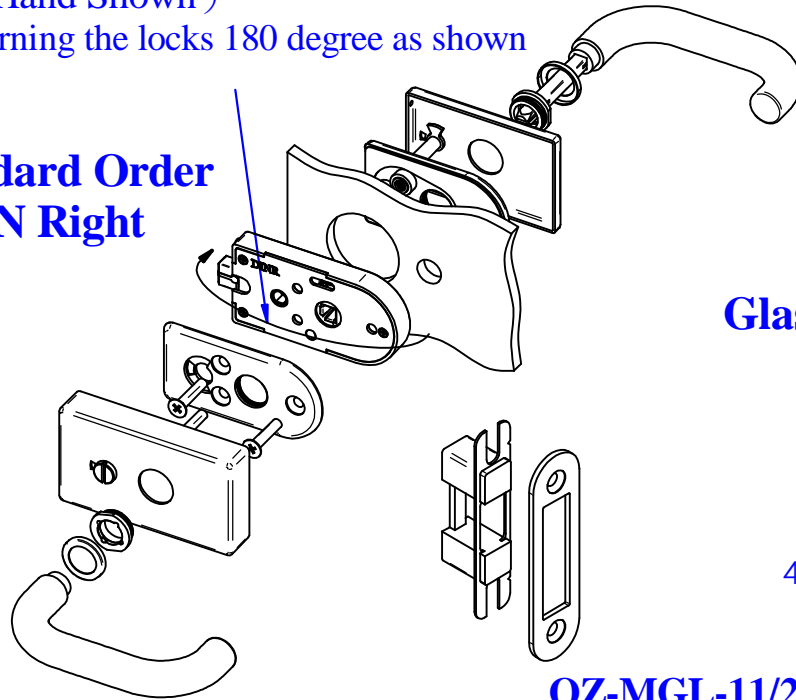
OZ-MGL-22S (Magnetic Lock)

How To Change The Right To Left :

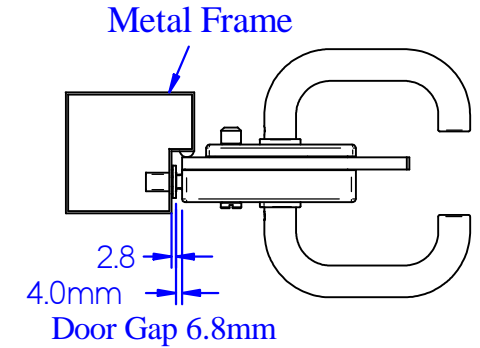
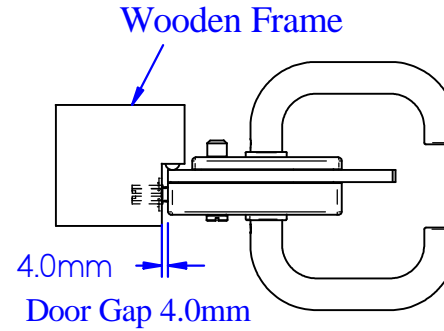
(Right Hand Shown)

* Only turning the locks 180 degree as shown

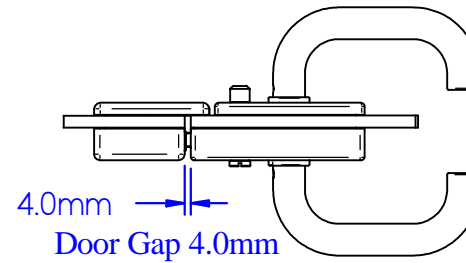
⚠ Standard Order is DIN Right



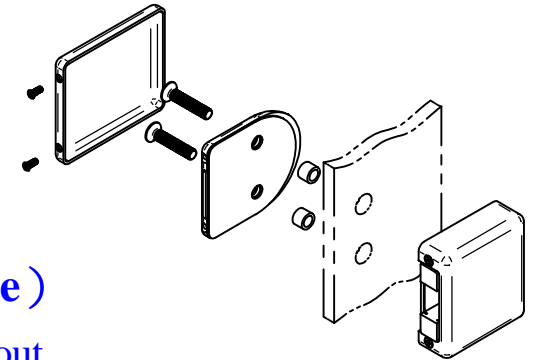
Glass Door To Wooden Frame or Metal Frame



Glass Door To Glass Fixed Panel

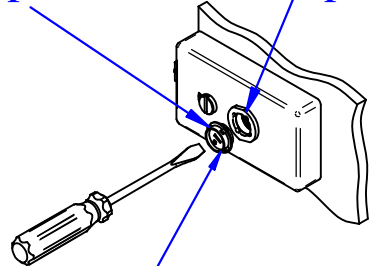


OZ-MGL-11/22 S-SB1 (Magnetic Strike Box)



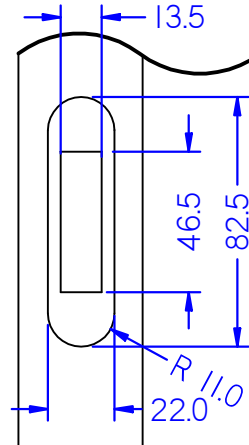
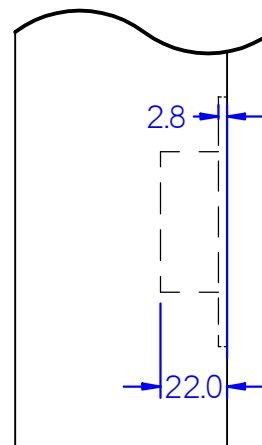
OZ-MGL-11/22 S-SP1 (Magnetic Strike Plate)

plastic driver plastic rose

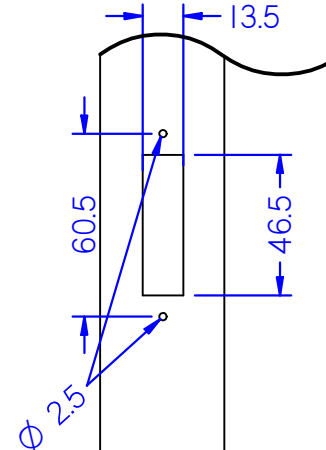


⚠ Please must use plastic driver to tighten the plastic rose firmly on the cover

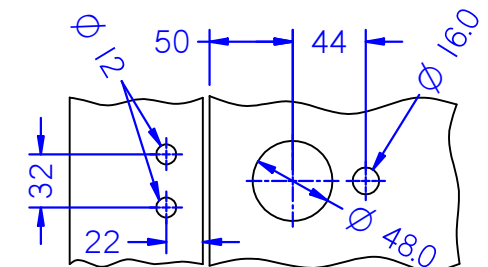
Wooden Frame Cutout



Metal Frame Cutout



Size of Glass Cutout (OZ-MGL-11/22 S-SB1 & OZ-MGL-22S)

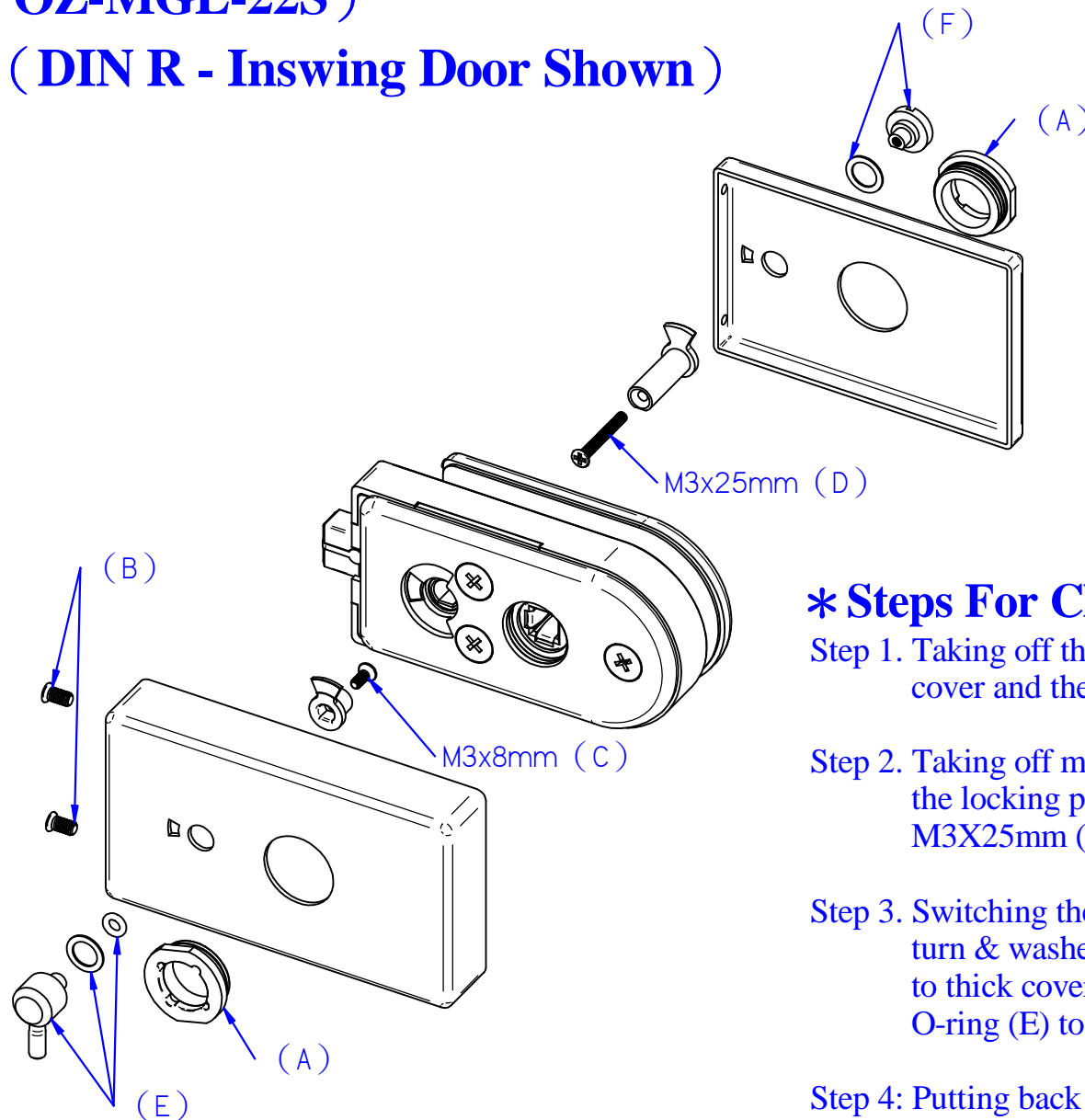


Patent Applied

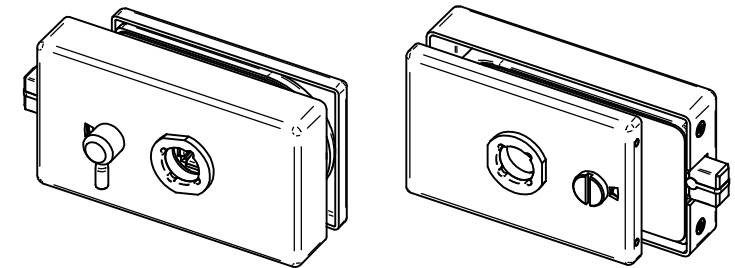
Square Bathroom Glass Door Lock With Magnetic Strike Plate Assembly Installation Instructions

OZ-MGL-22S)

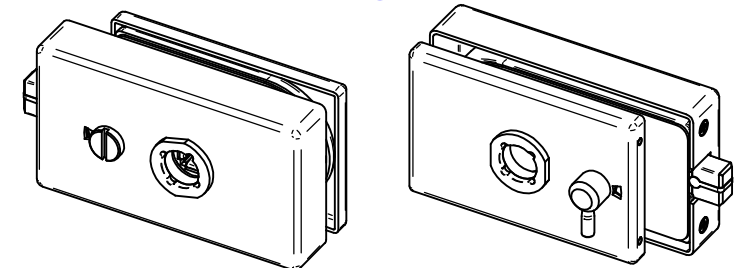
(DIN R - Inswing Door Shown)



DIN R - Inswing Door Shown



DIN R - Outswing Door Shown



* Steps For Changing From In-Swing To Out-Swing

- Step 1. Taking off the black plastic handle guider (A) on both thick and thin cover and the two machine screws (B) on the thick cover.
- Step 2. Taking off machine screw M3X8mm (C) on the inside of thick cover of the locking pin, washer & O-ring (E), and taking off machine screw M3X25mm (D) on the outside of thin cover of the coin turn & washer (F).
- Step 3. Switching the position of locking pin, washer & O-ring (E) and coin turn & washer (F). Via tightening screw (C) to fix coin turn & washer (F) to thick cover & tightening screw (D) to fix locking pin, washer & O-ring (E) to thin cover.
- Step 4: Putting back the thick cover and thin cover, screwing on black plastic handle guider (A) and the two machine screws (B) on thick cover to complete the switch.