

# User Manual



## Glass Progressive Telescopic Sliding Systems



Ozone introduces the Glass Progressive Telescopic Sliding Door System to achieve Maximum clear door opening space. Its door panels can be stacked on one side in-line with top track and require minimum parking space. Its ideal applications are in residential and commercial interior spaces as internal partitioning system. For more details, send an enquiry at [support@ozone-india.com](mailto:support@ozone-india.com)

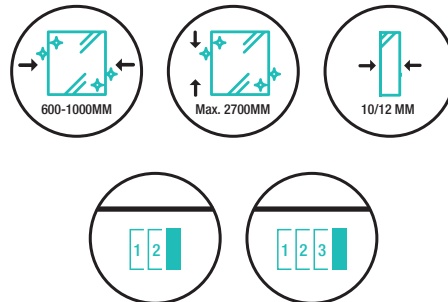




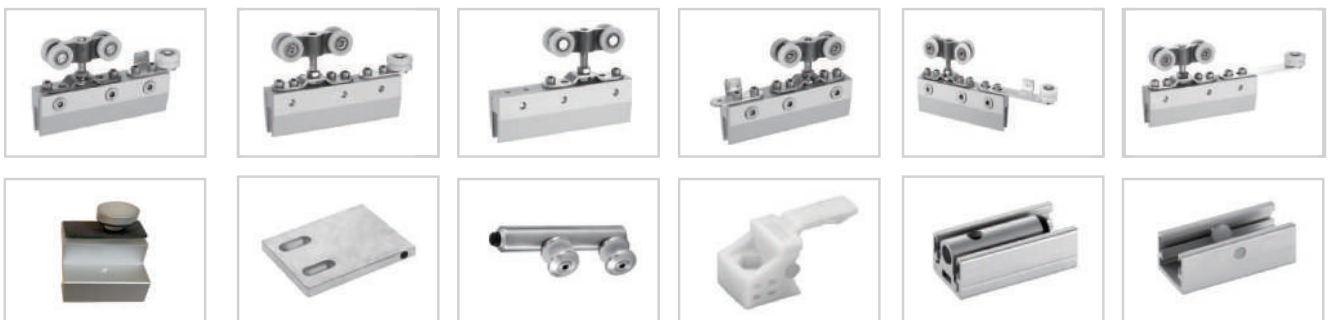
## TELESCOPIC GLASS SLIDING SYSTEMS

### Specifications:

- Maximum Width of Panels - 1050mm
- Maximum Weight of Panels - 90Kg
- Maximum Thickness of Glass - 10/12mm
- Available Track length - 3mtr & 4mtr
- Finish: Aluminum Anodized
- Joint Free Track
- Safety Pin Glass Cut-out



### Components:



## TOP TRACK & ACCESSORIES

### 1. Top Track & Accessories For 3 Panels (OSL-TG-3R/3L)

OSL-TG-Track-ACC-3mtr AN  
3mtr Track with other Accessories



Top U Channel-1Pc.



Top Track-2Pcs.



Bottom U Channel-1Pc.



Pelmet Cover-2Pcs.



SS Rope, 2mtr-1Pc.

### 2.A. Top Track & Accessories For 4 Panels (OSL-TG-4R/4L)

OSL-TG-Track-ACC-3mtr AN  
3mtr Track with other Accessories

OSL-TG-Track-ACC-4mtr AN  
4mtr Track with other Accessories



Top U Channel-1Pc.



Top Track-2Pcs.



Bottom U Channel-1Pc.



Pelmet Cover-2Pcs.



SS Rope, 2mtr-1Pc.

### 2.B. Additional Accessories Required For 4 Panels

OSL-TGW-Track-3mtr AN for 3mtr

(Top Track 1pc)

OR

OSL-TGW-Track-4mtr AN for 4mtr

(Top Track 1pc)



Top Track

OSL-TGW-Rope-2mtr SS

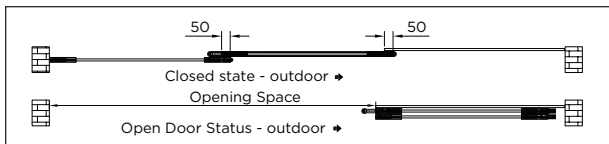
(SS Rope 2.3 mtr 1pc)



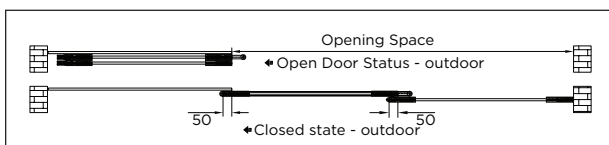
SS Rope, 2.3mtr

## DOOR KIT

### 3 PANEL DOOR SLIDING SET:

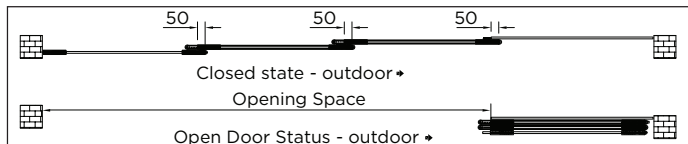


OSL-TG-03 R Std AN  
Right Hand Opening

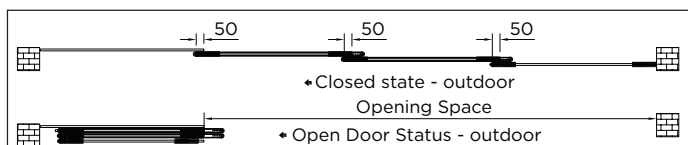


OSL-TG-03 L Std AN  
Left Hand Opening

### 4 PANEL DOOR SLIDING SET:

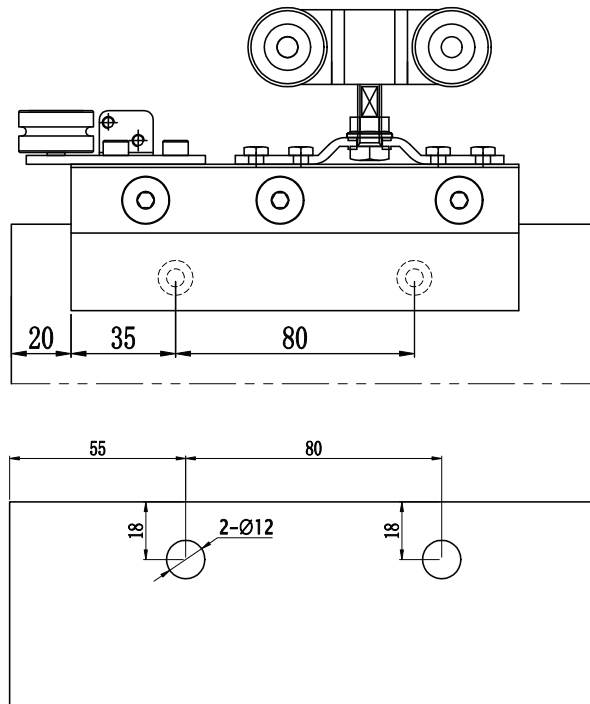


OSL-TG-04 R Std AN  
Right Hand Opening

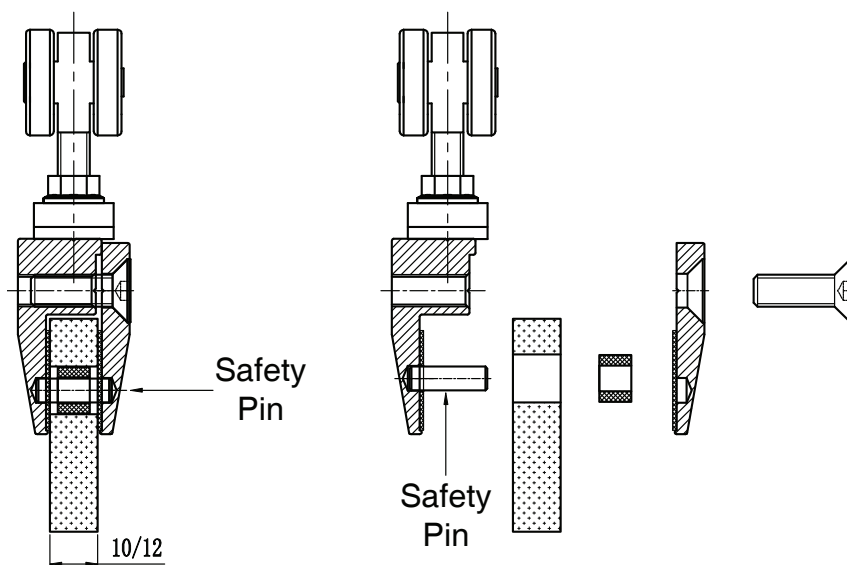


OSL-TG-04 L Std AN  
Left Hand Opening

## Glass Cut-out details for Safety pin



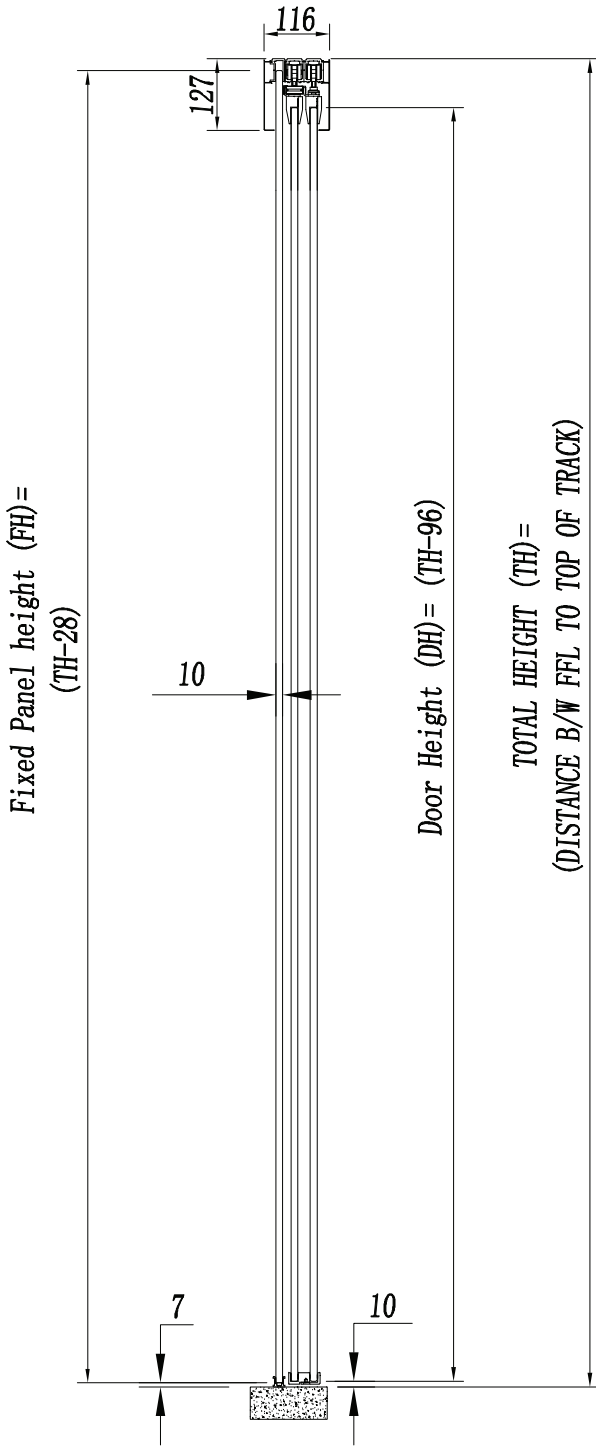
Glass Cut-out Sizes



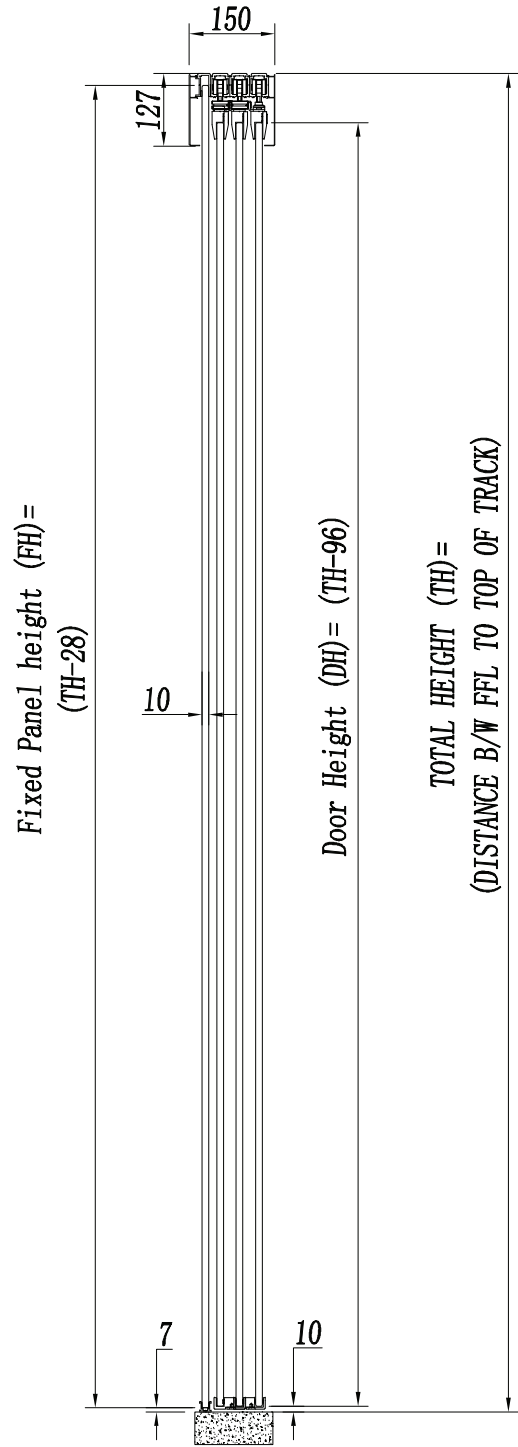
Installation details

### Cross Section Drawing

#### 3 Panel

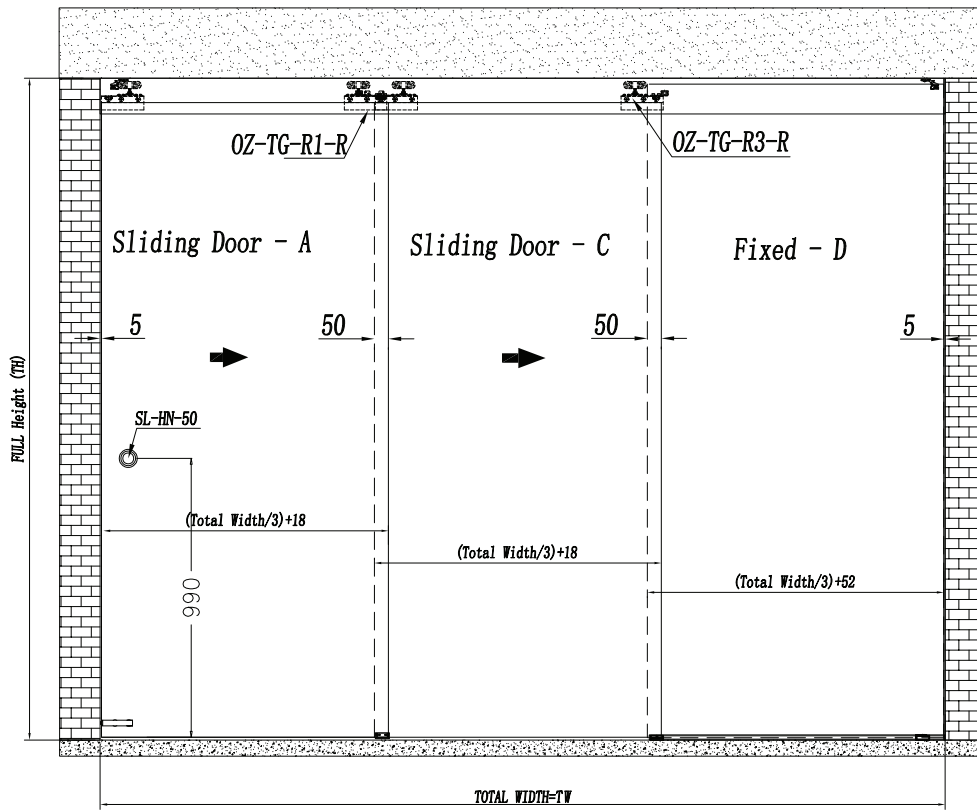


#### 4 Panel

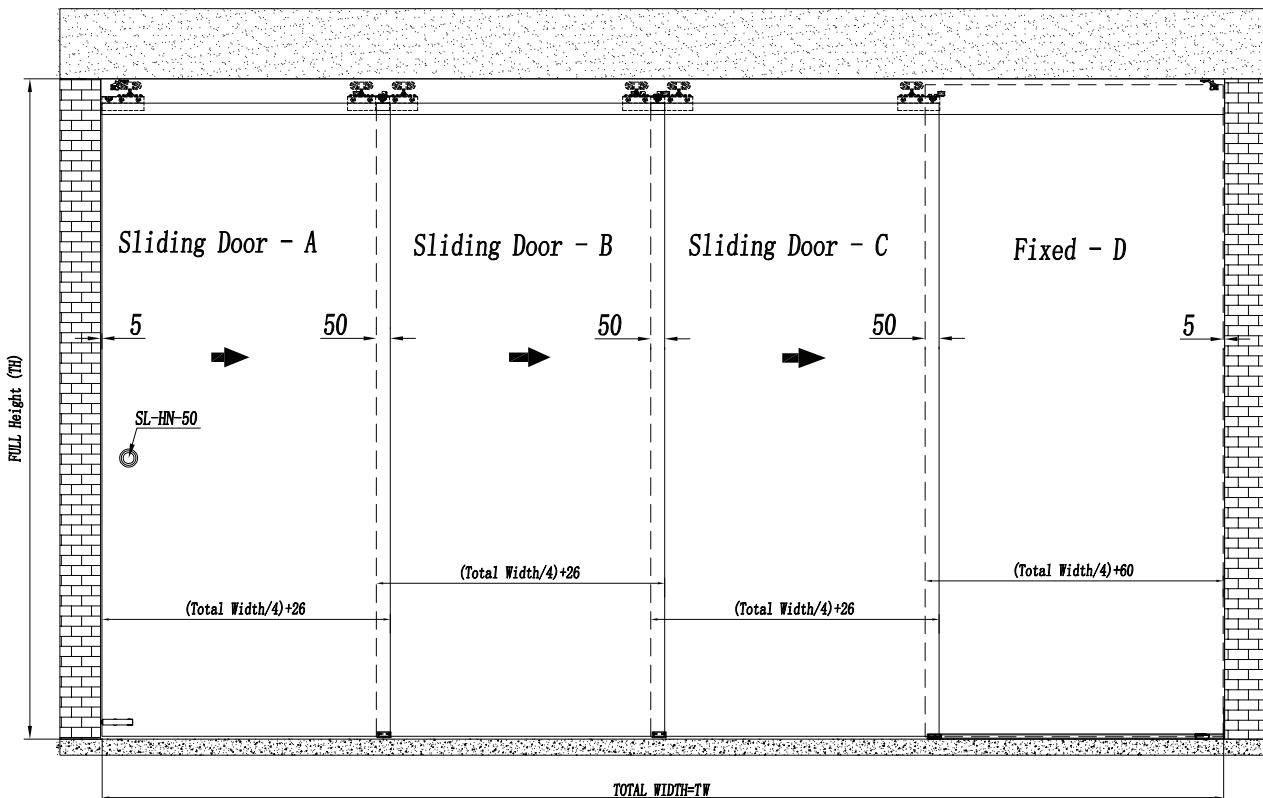


# Elevation View

## 3 Panel



## 4 Panel



## International Offices



### Melbourne, Australia

32-40 Tarnard Drive, Braeside VIC  
3195, Tel: +61 1300 088 225  
Mob +61 (0) 4 301 301 02  
info@ozoneaustralia.com.au  
www.ozoneaustralia.com.au



### Dubai, UAE

OZONE MEA TRADING LLC  
1344, Burjuman Business Tower  
Dubai, UAE

## Works

Ozone Overseas Pvt. Ltd.  
Trilokpur Road, Kheri,  
Nahan District-Sirmour  
Kala Amb  
Himachal Pradesh

### For Hardware Solutions:

#### New Delhi\*

1/122, Timber Mkt., Kirti Nagar,  
New Delhi  
Tel : +91-11-49124400, 01  
delhihub@ozone-india.com

### For Security Solutions:

#### Gurugram\*

#548 Udyog Vihar, Phase 5,  
Sector 19, Gurugram,  
Haryana-122016  
Tel: +91-124-4961164, 65

## Branch Offices

#### Ahmedabad

407, 4<sup>th</sup> Floor, Shivalik Abaise,  
Opp. Shell Petrol Pump,  
Pralhadnagar,  
Ahmedabad - 380051  
Tel: +91-079-29706789

#### Bengaluru\*

No. 424, 2<sup>nd</sup> Floor, Above  
HDFC Bank,  
Passport Office Road, 6<sup>th</sup> block,  
Koramangala, Bengaluru - 560034  
Tel: +91-80-41207539  
blrhub@ozone-india.com

#### Chandigarh

SCO 907, NAC Mani Majra  
Near Solitaire Hotel,  
Chandigarh - 160101  
Mob: +91-9316001154

#### Chennai\*

1-A, Jasoda Apartments,  
No: 12, Ground Floor, Bank Street,  
Kilpauk, Chennai - 600010.  
Tel: 044-43802063  
chennaihub@ozone-india.com

#### Cochin

No. 737/11, Opp. Lotus Club,  
Warriam Road, Ernakulam, Cochin  
Kerala - 682016  
Mob: +91-7291981739

#### Hyderabad

Unit # 704, 7<sup>th</sup> Floor,  
Shangrila Plaza,  
Road No. 2, Banjara Hills,  
Hyderabad - 500034

#### Indore

503, B Block,  
Prakrati Corporate,  
Y N Road, Indore - 452001  
Mob: +91-9589589902

#### Jaipur

27, 5<sup>th</sup> Floor, Mahima Trinity Mall,  
Swey Farm, New Sanganer Road,  
Jaipur-302019  
Tel: +91-141-2294261  
jaipurhub@ozone-india.com

#### Kolkata

4 Govt Place, 4<sup>th</sup> floor,  
Room No:- 4H  
Delta House. Kolkatta - 700001  
Mob: +91-9831176481

#### Lucknow\*

Ground Floor,  
Eldeco Corporate Chambers,  
Vibhuti Khand, Gomti Nagar,  
Lucknow - 226010  
Tel: +91-0522-4109647  
Mob: 9794970000

#### Mumbai

The Avenue, 607,  
Near Waterstones Hotel,  
Int. Airport Road,  
Marol, Andheri (E),  
Mumbai - 400059  
Tel : +91-22-28306453  
Mob: +91-7045775977

#### Pune

#105, 1<sup>st</sup> Floor, Suyog Center  
Market Yard, Gultekdi,  
Pune - 411037  
Mob: +91-7678117567

#### Surat

201, Luxuria Business Hub,  
Nr.V.R.Mall, Surat-Dumas Road,  
New Magdalla Road,  
Surat - 395007  
Mob: +91-9724009921

\*Also Operation Office

### Download Ozone India App



Visit Website



Android



iOS

Specifications subject to change without notice



Corporate Office: H-40, Bali Nagar, New Delhi - 110015, INDIA

www.ozone-india.com | Customer Care: +91-9310012300 | customercare@ozone-india.com